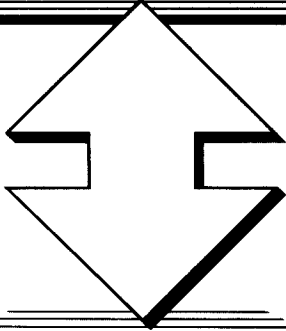
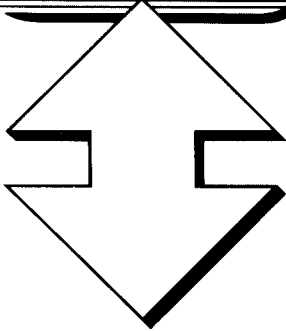




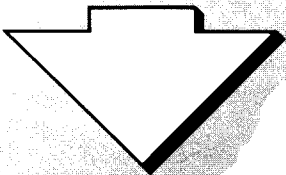
**DEVELOPMENT SYSTEM**



**SOFTWARE**



**DBS  
800**



**DBS  
800**

## Technical Data Sheet FX806 Audio Processor

The Digitally-integrated Baseband System, DBS 800, is a combination of Application Specific Integrated Circuits, Development PCBs and Control Software.

Designed specifically for use within Mobile and Trunked Radio Equipment, DBS 800 provides Audio Processing, System Signalling, Data Communications and Advanced Voice Management facilities. DBS 800 satisfies all current Mobile Radio requirements and ensures that future upgrades are catered for.

The FX806 integrated circuit provides all the Audio processing and signal conditioning required by the DBS 800.

# FX806

## AUDIO PROCESSOR

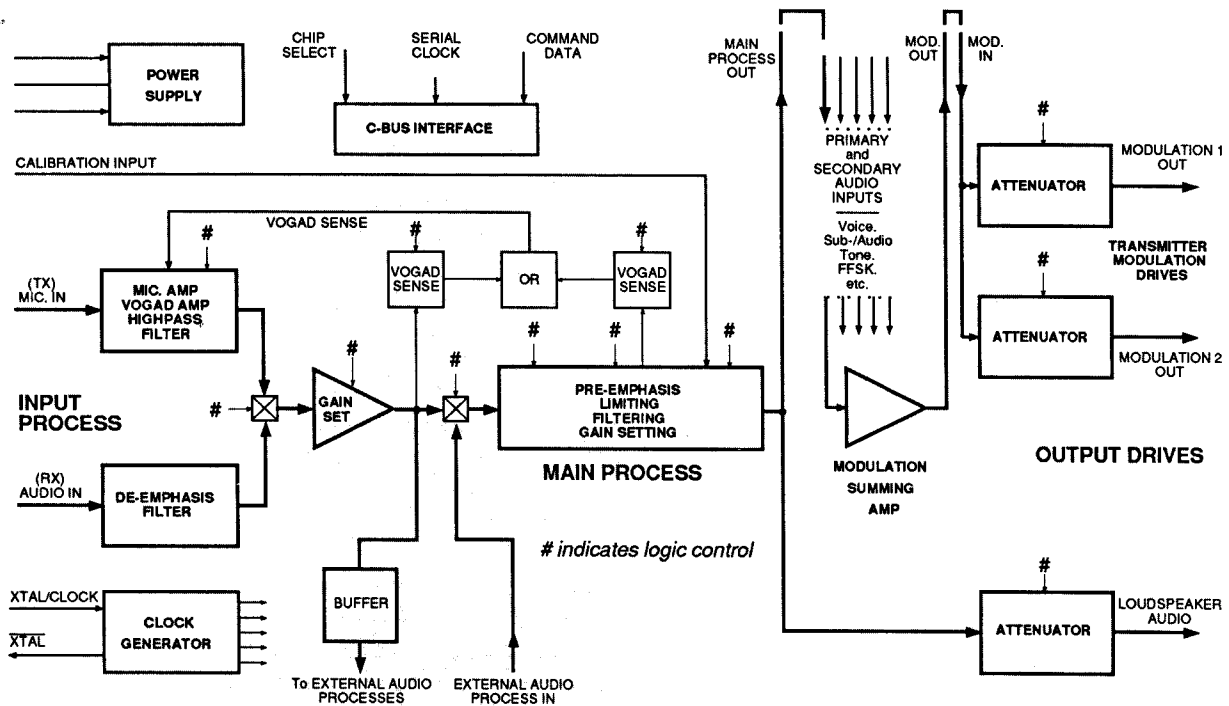


Fig.1 FX806 Audio Processor

### Block Description

The FX806 is a PMR Audio Processor intended primarily to operate as the "Audio Terminal" of Radio Systems using the DBS 800 Digitally-Integrated Baseband System.

The FX806 is a half-duplex device whose signal paths and level setting elements are configured and adjusted by digital information sent from the Radio  $\mu$ Controller using "C-BUS" hardware and software protocol.

The signal path of the FX806 can be viewed as 3 sections:

#### Input Process

Selectable transmit or receive input paths. Transmit voice signals pass through microphone pre-amplifier, voltage controlled gain (VOGAD) and highpass filter stages. Received audio is de-emphasised.

This initial audio, after in-line gain adjustment, is available for switching to either external audio processes (such as scrambling) or internally to the Main Process stages.

#### Main Process

Conditioning for Input or External Process signals with pre-emphasis, high and lowpass switched capacitor filters and a transmitter deviation limiter.

#### Summation and Output Drives

Main "voice audio" for transmission is combined with signalling and data from other DBS 800 microcircuits, to provide the composite (in and outband) signal for the digitally adjustable Transmitter Modulation Drives.

Received audio is level (volume) adjusted for output to loudspeaker circuitry.

Figure 5 shows a complete functional block diagram of the FX806.

Signal-level stability and therefore output accuracy, of the FX806 is maintained by a voltage-controlled gain system using selectable signal-level detectors.

Signal levels can be dynamically controlled to provide 'dynamic-compensation' for such factors as temperature drift, VCO non-linearity, etc.

FX806 audio output stages can be completely disabled or the whole microcircuit placed into a "Powersave" mode, leaving only clock and "C-BUS" circuitry active.

The FX806 is a low-power, 5-volt CMOS integrated circuit and is available in 24-pin DIL cerdip and 24-pin/lead plastic SMD packages.

**FX806  
J/LG/LS**

- | 1  | <b>Xtal:</b> The output of the on-chip clock oscillator. External components are required at this output when a Xtal is employed. See Figure 2, INSET 2.  |
|----|---|
| 2  | <b>Xtal/clock:</b> The input to the on-chip clock oscillator inverter. A Xtal or externally derived clock should be connected here. See Figure 2, INSET 2. This clock provides timing for on-chip elements, filters etc.  |
| 3  | <b>Serial Clock:</b> The "C-BUS," serial data loading clock input. This clock, produced by the $\mu$ Controller, is used for transfer timing of Command Data to the Audio Processor. See Timing diagrams and System Support Document (Document 2).  |
| 4  | <b>Command Data:</b> The "C-BUS," serial data input from the $\mu$ Controller. Command Data is loaded to this device in 8-bit bytes, MSB (B7) first, and LSB (B0) last, synchronized to the Serial Clock. The Command/Data instruction is acted upon at the end of loading the whole instruction. Command information is detailed in Tables 1, 2, 3, 4 and 5. See Timing diagrams and System Support Document (Document 2). |
| 5  | <b>Chip Select (CS):</b> The "C-BUS," data loading control function. This input is provided by the $\mu$ Controller. Command Data transfer sequences are initiated, completed or aborted by the CS signal. See Timing diagrams and System Support Document (Document 2).  |
| 6  | <b>VOGAD Out:</b> The output of the selected VOGAD sensor. This output, with external attack and decay setting components, should be connected as in Figures 2 and 3, to the VOGAD In pin.  |
| 7  | <b>Rx Audio In:</b> The audio input to the FX806 from the radio receiver's demodulator circuits. This input, which requires to be a.c. coupled with capacitor $C_{12}$ , is selected by a Control Command bit.  |
| 8  | <b>VOGAD In:</b> The gain control signal from the selected VOGAD sensor to the Input Process Voltage Controlled Amplifier. The required sensor is selected via a Mode Command. The choice of two sensors enables gain control from either the Input Process or an External Process. External attack and decay setting components should be applied as recommended in Figures 2 and 3.                                       |
| 9  | <b><math>V_{BIAS}</math>:</b> The output of the on-chip analogue circuitry bias system, held internally at $V_{DD}/2$ . This pin should be decoupled to $V_{SS}$ by a capacitor $C_{10}$ . See Figure 2.  |
| 10 | <b>Mic In (+):</b> The non-inverting input to the microphone Op-Amp. This input requires external components for Op-Amp gain/attenuation setting as shown in Figure 2, INSET 1.   |
| 11 | <b>Mic In (-):</b> The inverting input to the microphone Op-Amp. This input requires external components for Op-Amp gain/attenuation setting as shown in Figure 2, INSET 1.   |
| 12 | <b><math>V_{SS}</math>:</b> Negative supply rail (GND).   |

## Pin Number Function

FX806  
J/LG/LS

- |    |  |
|----|--|
| 13 | <b>Mic Out:</b> The output of the microphone Op-Amp, used with the Mic In (–) input to provide the required gain/attenuation using external components as shown in Figure 2. The external components shown are to assist in the use of this amplifier with either inverting or non-inverting inputs. During Powersave (Volume Command) this output is placed at $V_{SS}$ . |
| 14 | <b>Processed Audio In:</b> The input to the device from such external audio processes as Voice Store and Retrieve or Frequency Domain Scrambling. This input, which requires to be a.c. coupled with a capacitor, $C_{13}$ , is selected by a Mode Command bit.  |
| 15 | <b>External Audio Process:</b> The buffered output of the Input Processing stage. For further external audio processing prior to re-introduction at the Processed Audio In pin.  |
| 16 | <b>Calibration Input:</b> A unique audio input, intended to be used for dynamic balancing of the modulator drives and for measuring Deviation Limiter levels. A CUE (beep) input from the FX803 Audio Tone Processor can be entered on this line. The audio input to this pin requires to be externally biased and is selected via a Mode Command bit.                     |
| 17 | <b>Main Process Out:</b> The output of the Main Process stage. This output is summed with additional system inputs as required (Audio, Sub-Audio Signalling, FFSK – See Document 1, System Overview) in the on-chip Modulation Summing Amplifier. External components as shown in Figure 2 should be used as required.   |
| 18 | <b>Sum In:</b><br>The input and output terminals of the on-chip Modulation Summing Amplifier. External components are required for input signals, with gain/attenuation setting as shown in Figure 2. For single-signal, no-gain requirements, Main Process Out may be linked directly to Modulation In.   |
| 19 | <b>Sum Out:</b>  |
| 20 | <b>Modulation In:</b> The final, composite modulating signal to VCO (Mod 1) and Reference (Mod 2) Output Drives.   |
| 21 | <b>Audio Output:</b> The processed audio signal output intended as a received audio (volume) output. Though normally used in the Rx mode, operation in Tx is permitted. The output level of this attenuator is controlled via a Volume Set command. During Powersave this output is placed at $V_{SS}$ .   |
| 22 | <b>Modulation 1 Drive:</b> The drive to the radio modulator Voltage Controlled Oscillator (VCO), from the composite audio summing stage.   |
| 23 | <b>Modulation 2 Drive:</b> The drive to the radio modulator Reference Oscillator, from the composite audio summing stage.<br><b>NOTE:</b> These VCO output attenuators are individually adjustable using the Modulator Level command. During Powersave these outputs are placed at $V_{SS}$ .  |
| 24 | <b><math>V_{DD}</math>:</b> Positive supply rail. A single, stable +5-volt supply is required. Levels and voltages within the Audio Processor are dependant upon this supply.  |

## External Components

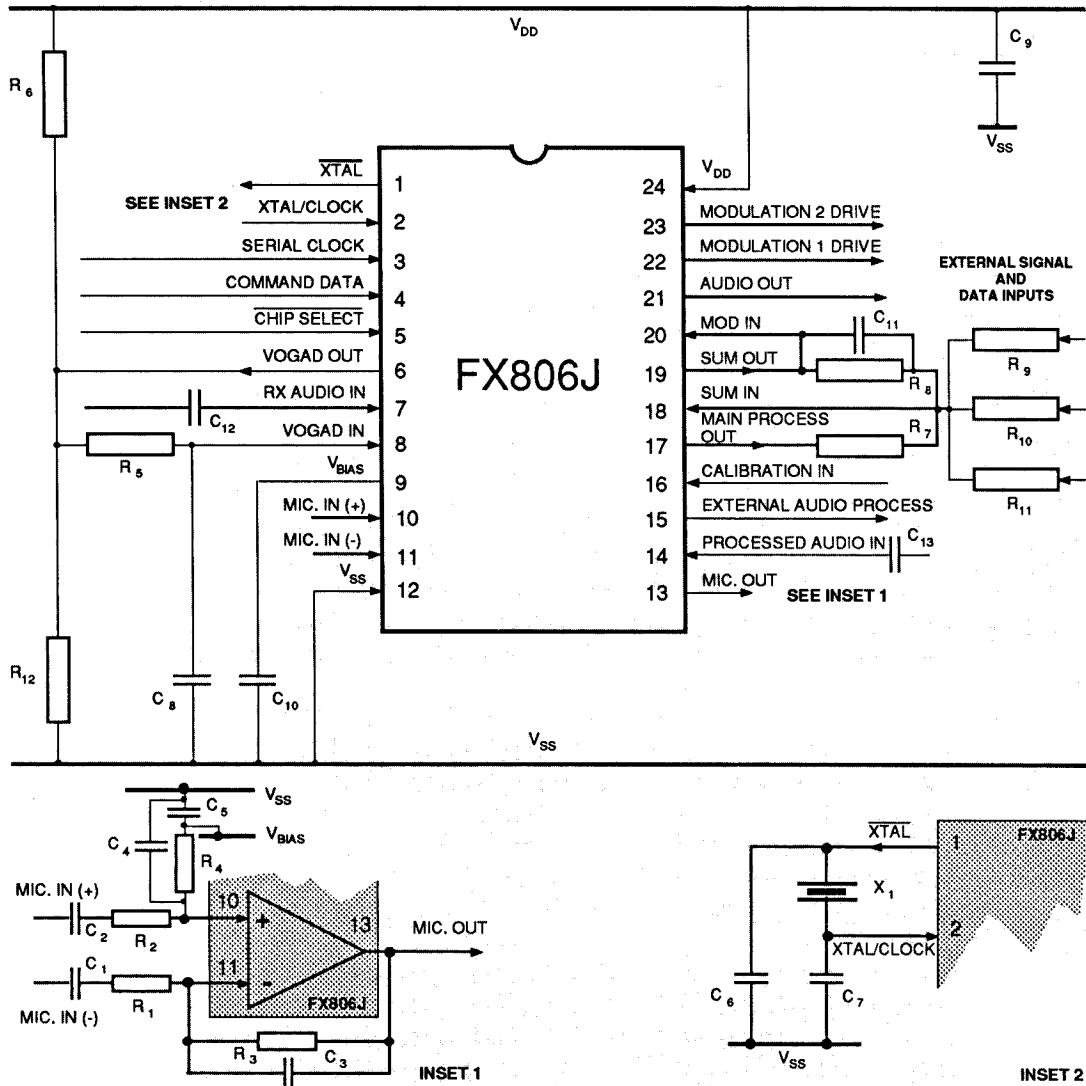


Fig.2 Recommended External Components

Component	Value
$R_1$	$10.0k\Omega$
$R_2$	$10.0k\Omega$
$R_3$	$20.0k\Omega$
$R_4$	$20.0k\Omega$
$R_5$	$10.0k\Omega$
$R_6$	$2.2M\Omega$
$R_7$	$100k\Omega$
$R_8$	$100k\Omega$
$R_9$	$100k\Omega$
$R_{10}$	$100k\Omega$
$R_{11}$	$100k\Omega$
$R_{12}$	$2.2M\Omega$
$C_1$	$470nF$
$C_2$	$470nF$
$C_3$	$270pF$
$C_4$	$270pF$
$C_5$	$0.1\mu F$
$C_6$	$33pF$
$C_7$	$5 - 65pF$
$C_8$	$1.0\mu F$
$C_9$	$1.0\mu F$
$C_{10}$	$1.0\mu F$
$C_{11}$	$22pF$
$C_{12}$	$100nF$
$C_{13}$	$10.0nF$
$X_{13}$	$4.0MHz$

Tolerance:  $R = \pm 10\%$ .  $C = \pm 20\%$

### Notes

Input Op-Amp gain/attenuation components (voltage gain = 6.0dB) are shown (INSET 1) in a differential configuration to demonstrate the versatility of this input. Components for a single (+ or -) input may be employed.

Resistor values  $R_7$  to  $R_{11}$  (summation components) are dependant upon application and configuration requirements.

Xtal circuit capacitors  $C_6$  ( $C_D$ ) and  $C_7$  ( $C_G$ ) shown (INSET 2) are recommended in accordance with *CML Application Note D/XT/1 April 1986*. Circuit drive and drain resistors are incorporated on-chip.

## The Gain Control System

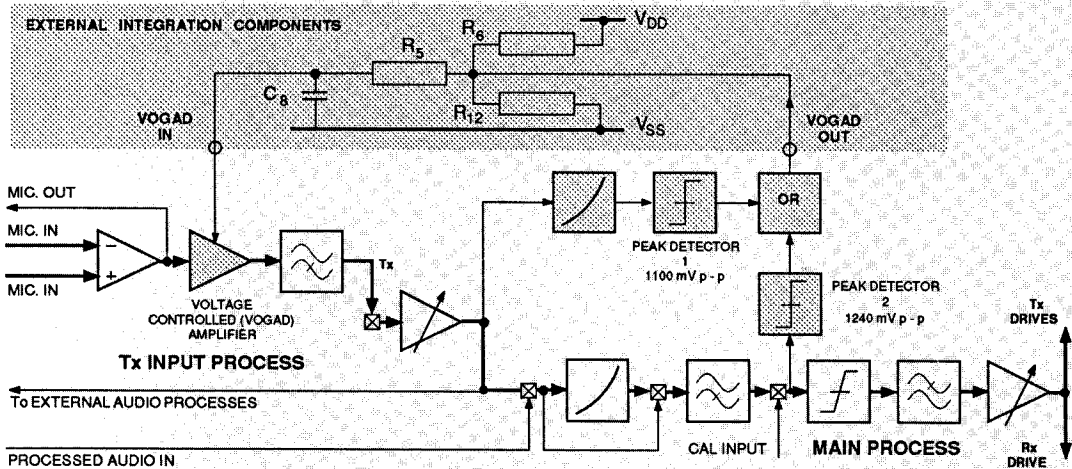


Fig.3 "VOGAD" Sensors and Timing Components – (part of Fig.5)

The overall Gain Control system of the FX806 consists of 2 selectable signal peak detectors whose output is fed via external integrating components to adjust the gain of the Voltage Controlled Amplifier positioned in the Tx Input Process Path. The transmit input signal is presented to Peak Detector 1 or 2. The Peak Detectors are enabled individually by a Mode command. When the input signal exceeds the peak-to-peak threshold of the detector a 5-volt level is produced at the VOGAD Out pin, this level remains for as long as the signal exceeds the threshold.

The integrated level to the VOGAD In pin causes the Voltage Controlled Amplifier gain to be reduced. As can be seen from Figures 3 and 5, Peak Detector 1 allows control of the audio level to the external audio process and Peak Detector 2 allows control of transmit deviation levels.

VOGAD attack and decay times are set using the external components shown in Figures 2 and 3, and are calculated as described below.

### VOGAD Components Calculations – Figures 2 and 5

Provided  $R_5 \gg 1.0k\Omega$  and  $R_6 = R_{12} \gg R_5$

Then:

$$\text{Attack Time (T}_A\text{)} = R_5 \times C_8$$

$$\text{Decay Time (T}_D\text{)} = \frac{R_6 \times C_8}{2}$$

### Suggested Calibration Methods

To effectively null all internal microcircuit tolerances, the following initial calibration routine is suggested:

#### Tx Calibration : From Mic. In to Modulator Drives Out

- Disable Peak Detectors (Mode Command).
- Set Transmitter Drives to 0dB (Mod Levels Set).
- Pre-emphasis may be employed as required (Control Command).
- Set Input Level Amp to 0dB (Control Command).

- (1) Mic. In = 250mVrms at 1kHz; Set Process Gain Amp for output of 1440mV p - p (100% deviation).
- (2) With Process Gain Amp set as (1); Mic In = 25mVrms at 1kHz, set Input Level Amp for output level of 308 mVrms (60% deviation).

#### Rx Calibration: From Rx Audio In to Audio Out

- Set Audio Output Drive to 0dB (Volume Set).
- Leave Process Gain Amp set as In (1) (above).
- (3) With Rx Audio In level of between 154mVrms and 308mVrms (see Specification page), at 1kHz, set the Input Level Amp for an output level of 308mVrms.



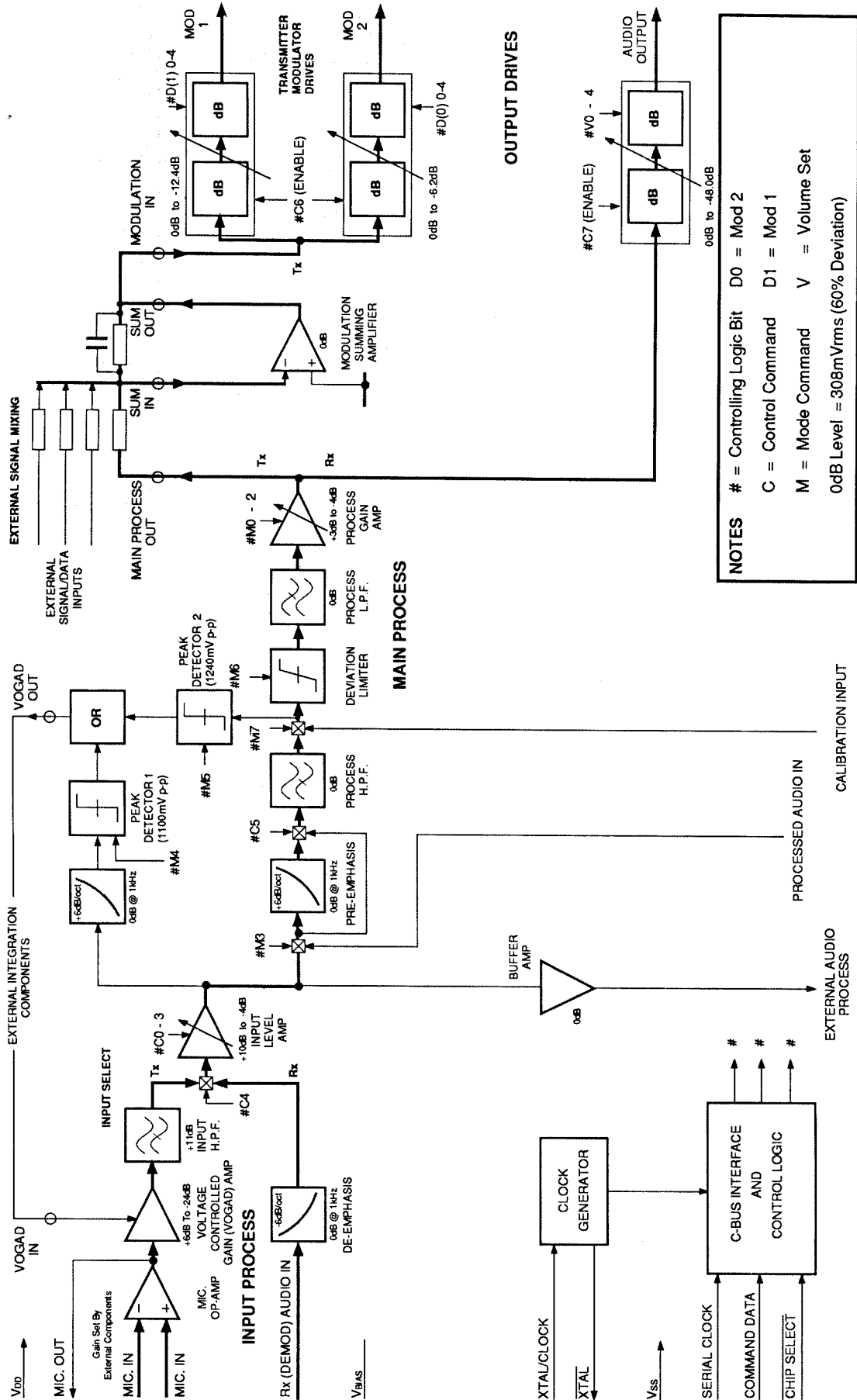


Fig.5 PLMR Audio Processor – Facilities



# Controlling Protocol

Control of the functions and levels within the FX806 PLMR Audio Processor is by a group of Address/Commands and appended data instructions from the system  $\mu$ Controller to set/adjust the functions and elements of the FX806. The use of these instructions is detailed in the following paragraphs and tables.

Command Assignment	Address/Command (A/C) Byte				Command Data	Table						
	Hex	Binary		LSB								
General Reset	01	0	0	0	0	0	0	1				
Control Command	10	0	0	0	1	0	0	0	0	+	1 byte	2
Mode Command	11	0	0	0	1	0	0	0	1	+	1 byte	3
Mod. Levels Set	12	0	0	0	1	0	0	1	0	+	2 bytes	4
Volume Set	13	0	0	0	1	0	0	1	1	+	1 byte	5

Table 1 "C-Bus" Address/Commands

In "C-BUS" protocol the FX806 is allocated Address/Command (A/C) values 10<sub>H</sub> to 13<sub>H</sub>. "C-BUS" Command, Mode, Modulation and Volume assignments and data requirements are given in Table 1 and illustrated in Figure 5 (Main Block Diagram). Each instruction consists of an Address/Command (A/C) byte followed by a data instruction formulated from the following tables.

Commands and Data are only to be loaded in the group configurations detailed, as the "C-BUS" interface recognises the first byte after Chip Select (logic "0") as an Address/Command.

Function or Level control data, which is detailed in Tables 2, 3, 4 and 5, is acted upon at the end of the loaded instruction.

Upon Power-Up the value of the "bits" in this device will be random (either "0" or "1"). A General Reset Command (01<sub>H</sub>) will be required. This command is provided to "reset" all devices on the "C-BUS" and has the following effect on the FX806.

Control Address Command	Loaded as 00 <sub>H</sub>
Mode Address Command	Loaded as 00 <sub>H</sub>
Volume Set	Loaded as 00 <sub>H</sub>

## Control Command

(Preceded by A/C 10<sub>H</sub>)

Setting				Control Bits
<b>MSB Bit 7</b>				<b>Transmitted First Audio Output (Rx)</b>
0				Disabled
1				Enabled
<b>6</b>				<b>Modulation Drives</b>
0				Disabled
1				Enabled
<b>5</b>				<b>Pre-Emphasis Select</b>
0				By-Pass
1				Enabled
<b>4</b>				<b>Input Select</b>
0				Rx Audio In
1				Mic. In
<b>3</b>	<b>2</b>	<b>1</b>	<b>0</b>	<b>Input Level Set</b>
0	0	0	0	Input Amp Disabled
0	0	0	1	-4.0dB
0	0	1	0	-3.0dB
0	0	1	1	-2.0dB
0	1	0	0	-1.0dB
0	1	0	1	0dB
0	1	1	0	1.0dB
0	1	1	1	2.0dB
1	0	0	0	3.0dB
1	0	0	1	4.0dB
1	0	1	0	5.0dB
1	0	1	1	6.0dB
1	1	0	0	7.0dB
1	1	0	1	8.0dB
1	1	1	0	9.0dB
1	1	1	1	10.0dB

Table 2 Control Commands

## Mode Command

(Preceded by A/C 11<sub>H</sub>)

Setting			Mode Bits
<b>MSB Bit 7</b>			<b>Transmitted First Drive Source</b>
0			Signals
1			Calibration
<b>6</b>			<b>Deviation Limiter</b>
0			Disabled
1			Enabled
<b>5</b>			<b>Peak Detect 2</b>
0			Disabled
1			Enabled
<b>4</b>			<b>Peak Detect 1</b>
0			Disabled
1			Enabled
<b>3</b>			<b>Input Signal Select</b>
0			Primary Inputs (Mic., Rx)
1			External Process
<b>2</b>	<b>1</b>	<b>0</b>	<b>Process Level Set</b>
0	0	0	-4.0dB
0	0	1	-3.0dB
0	1	0	-2.0dB
0	1	1	1.0dB
1	0	0	0dB
1	0	1	1.0dB
1	1	0	2.0dB
1	1	1	3.0dB

Table 3 Mode Commands



## Application

### Absolute Maximum Ratings

Exceeding the maximum rating can result in device damage. Operation of the device outside the operating limits is not implied.

Supply voltage		-0.3 to 7.0V
Input voltage at any pin (ref $V_{SS} = 0V$ )		-0.3 to ( $V_{DD} + 0.3V$ )
Sink/source current (supply pins)		+/- 30mA
(other pins)		+/- 20mA
Total device dissipation @ $T_{AMB} = 25^{\circ}C$		800mW Max.
Derating		10mW/ $^{\circ}C$
Operating temperature range:	<b>FX806J</b>	-40 $^{\circ}C$ to +85 $^{\circ}C$ (cerdip)
	<b>FX806LG/LS</b>	-40 $^{\circ}C$ to +85 $^{\circ}C$ (plastic)
Storage temperature range:	<b>FX806J</b>	-55 $^{\circ}C$ to +125 $^{\circ}C$ (cerdip)
	<b>FX806LG/LS</b>	-40 $^{\circ}C$ to +85 $^{\circ}C$ (plastic)

### Operating Limits

All device characteristics are measured under the following conditions unless otherwise specified:

$V_{DD} = 5.0V$ .  $T_{AMB} = 25^{\circ}C$ . Xtal/Clock  $f_0 = 4.0MHz$ . Audio Level 0dB ref: = 308mVrms @ 1kHz (60% deviation, FM).

Characteristics	See Note	Min.	Typ.	Max.	Unit
<b>Static Values</b>					
Supply Voltage		4.5	5.0	5.5	V
Supply Current (All Elements Enabled)		–	6.0	–	mA
(Maximum Powersave)		–	0.6	–	mA
<b>“C-BUS” Interface</b>					
Input Logic “1”		3.5	–	–	V
Input Logic “0”		–	–	1.5	V
Input Leakage Current (logic “1 or 0”)		-1.0	–	1.0	$\mu A$
Input Capacitance		–	–	7.5	pF
<b>Dynamic Values</b>					
<b>Overall Performance</b>					
Microphone Input	4, 5	–	25.0	–	mVrms
Rx Audio In	6, 5	154	–	308	mVrms
<b>Output Drive Levels</b>					
For 60% Deviation	5, 7	291	308	326	mVrms
For 100% Deviation	5, 7, 8	–	1,440	–	mV p - p
<b>Passband Frequencies</b>					
Passband Ripple	1	297	–	3000	Hz
	2	-2.0	–	0.5	dB
<b>Stopband Attenuation</b>					
$f = 150Hz$	1, 3	10.0	12.0	–	dB
$f = 3400Hz$		–	2.0	–	dB
$f = 6000Hz$		30.0	36.0	–	dB
$f = 8000Hz$ to 20,000Hz		–	60.0	–	dB
<b>Signal Path Noise</b>					
Rx		–	-60.0	–	dBp
Rx	10	–	-55.0	–	dB
Tx		–	-50.0	–	dBp
Tx	10	–	-45.0	–	dB
Distortion		–	1.0	–	%
<b>Circuit Elements – Figure 5</b>					
<b>Mic Amp or Mod Summation Amp</b>					
Open Loop Gain		–	50.0	–	dB
Bandwidth		20.0	–	–	kHz
Input Impedance		10.0	–	–	M $\Omega$
Output Impedance (Open Loop)		–	6.0	–	k $\Omega$
(Closed Loop)		–	600	–	$\Omega$
<b>De-emphasis</b>					
Slope		–	-6.0	–	dB/oct.
Gain (at 1.0kHz)		–	0	–	dB
Input Impedance		–	1.0	–	M $\Omega$
<b>Voltage Controlled Gain Amp</b>					
Gain (Non-Compressing)	5	–	6.0	–	dB
(Full Compression)		–	-24.0	–	dB
VOGAD In Input Impedance		–	10.0	–	M $\Omega$

Characteristics	See Note	Min.	Typ.	Max.	Unit
<b>VOGAD Peak Detectors</b>					
Output Impedance - Logic "1" (Compress)		–	1.0	–	kΩ
- Logic "0"		–	10.0	–	MΩ
Peak Detector 1 Threshold	11	–	1,100	–	mV p - p
Peak Detector 2 Threshold	11	–	1,240	–	mV p - p
<b>Input Highpass Filter</b>					
Gain (at 1.0kHz)		10.0	11.0	12.0	dB
<b>Input Level Amp</b>					
Gain Range		-4.0		10.0	dB
Overall Tolerance		-1.0	–	1.0	dB
Step Size		0.75	1.0	1.25	dB
<b>External Audio Buffer</b>					
Gain		-0.1	0	0.1	dB
<b>Pre-emphasis (Main Process and VOGAD)</b>					
Slope		–	6.0	–	dB/oct.
Gain (at 1.0kHz)		–	0	–	dB
<b>Process Highpass Filter</b>					
Gain (at 1.0kHz)		-1.0	0	1.0	dB
<b>Deviation Limiter</b>					
Threshold		411	436	461	mVrms
Gain		-0.5	–	0.5	dB
<b>Process Lowpass Filter</b>					
Gain (at 1.0kHz)		-1.0	0	1.0	dB
<b>Process Gain Amp</b>					
Gain Range		-4.0		3.0	dB
Overall Tolerance		-0.5	–	0.5	dB
Step Size		0.75	1.0	1.25	dB
Output Impedance		–	600	–	Ω
<b>Transmitter Modulator Drives</b>					
Input Impedance		–	15.0	–	kΩ
<b>Mod.1 Attenuator</b>					
Attenuation Range		0		12.4	dB
Overall Tolerance		-1.0	–	1.0	dB
Step Size		0.2	0.4	0.6	dB
Output Impedance		–	600	–	Ω
<b>Mod.2 Attenuator</b>					
Attenuation Range		0		6.2	dB
Overall Tolerance		-0.5	–	0.5	dB
Step Size		0.1	0.2	0.3	dB
Output Impedance		–	600	–	Ω
<b>Audio Output Attenuator</b>					
Attenuation Range		0		48.0	dB
Overall Tolerance		-0.5	–	0.5	dB
Step Size		1.1	1.6	2.1	dB
Output Impedance		–	600	–	Ω
<b>Miscellaneous Impedances</b>					
Processed Audio Input		–	1.0	–	MΩ
Calibration Input		–	40.0	–	MΩ
External Process Out		–	100	–	Ω

## Notes

- Between Mic. or Rx inputs to Modulator or Audio outputs.
- The deviation from the ideal overall response that includes the pre- or de-emphasis slope.
- Excluding the effect of the pre- or de-emphasis slope.
- Producing an output of 0dB with the Mic. Op-Amp set to 6dB (as shown in Figure 2) and the Modulator Drives set to 0dB.
- With Output Drives set to 0dB and the system calibrated, as described in the Application notes.
- Input level range for 0dB output, by adjustment of the Input Level Amp.
- It is recommended that these output levels will produce 60% or 100% deviation in the transmitter.
- With the microphone input level 20dB above the level required to produce 0dB at the Output Drives.
- Using external components recommended in Figure 2.
- In a 30kHz bandwidth.
- Using Pre-emphasis in the Tx path.

# Command Loading and Timing

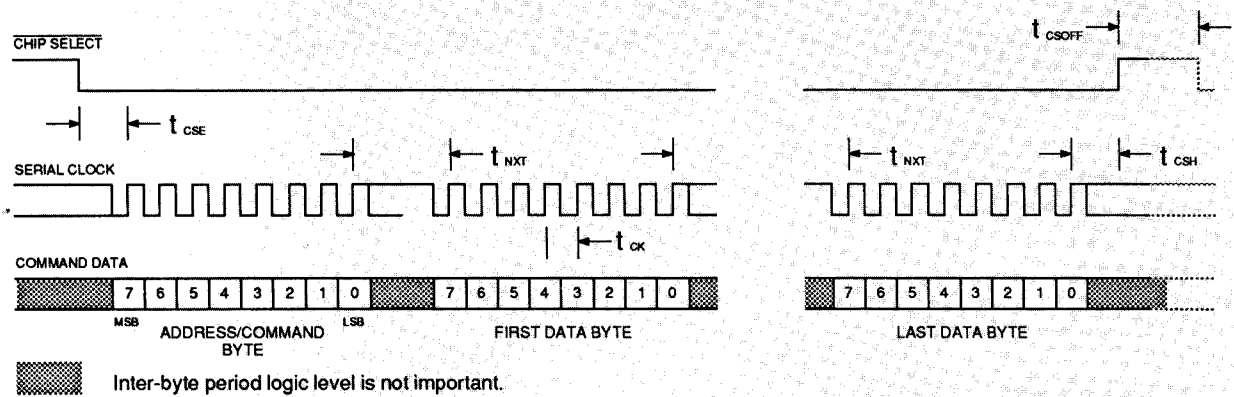


Fig.6 "C-BUS" Timing Information

Parameter	Min.	Typ.	Max.	Unit
$t_{CSE}$	2.0	-	-	$\mu$ S
$t_{CSH}$	4.0	-	-	$\mu$ S
$t_{CSOFF}$	2.0	-	-	$\mu$ S
$t_{NXT}$	4.0	-	-	$\mu$ S
$t_{CK}$	2.0	-	-	$\mu$ S

### Notes

- (1) Command Data is transmitted to the peripheral MSB (bit7) first, LSB (bit0) last.
- (2) Data is clocked into the peripheral on the rising clock edge.
- (3) Loaded data instructions are acted upon at the end of each individual, loaded byte.
- (4) To allow for differing  $\mu$ Controller serial interface formats, the FX806 will work with either polarity Serial Clock pulses.

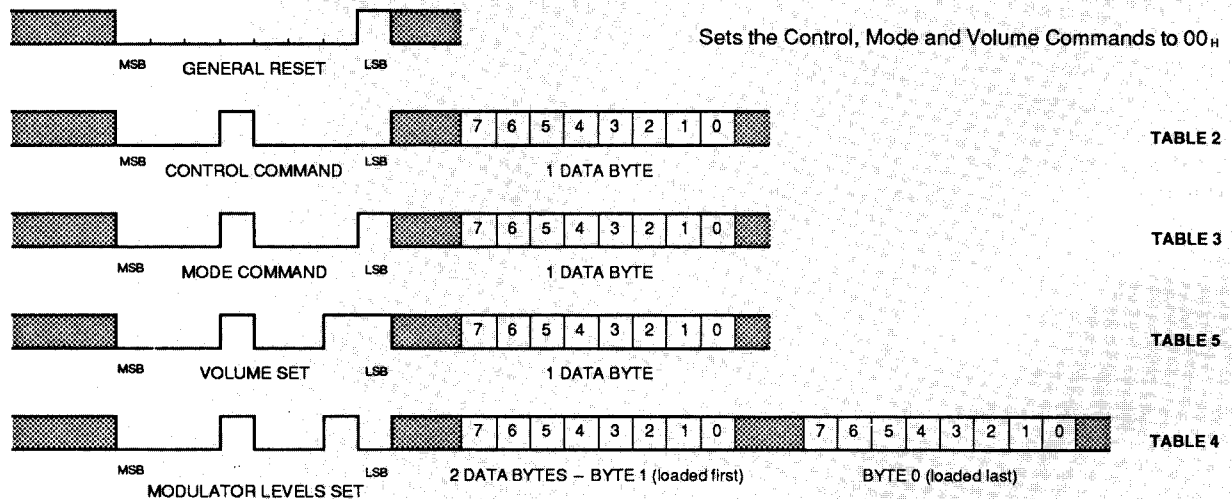


Fig.7 Examples of "Command Data" Configurations

To assist in rapid setting, the "quick-reference" guide below should be used with Figure 5.

Control	A/C = 10 <sub>H</sub>	Modulator Levels	A/C = 12 <sub>H</sub>
Bit 7	Audio Out (Rx) Enable	Byte 1	
6	Modulator Drive Enable	Bit 7 - 5	"0"
5	Pre-Emphasis Select	4 - 0	Mod 1 Attenuation (0 to 12.4dB)
4	Input Select (Rx/Tx)		
3 - 0	Input Level Set (-4dB to 10dB)	Byte 2	
<b>Mode</b>	<b>A/C = 11<sub>H</sub></b>	7 - 5	"0"
Bit 7	Drive Source	4 - 0	Mod 2 Attenuation (0 to 6.2dB)
6	Deviation Limiter Enable		
5	Peak Detect 2 Enable	<b>Volume Set</b>	<b>A/C = 13<sub>H</sub></b>
4	Peak Detect 1 Enable	Bit 7 - 6	"0"
3	Input Signal Select	5	Powersave
2 - 0	Process Level Set (-4dB to 3dB)	4 - 0	Volume Set Attenuation (0 to 48dB)

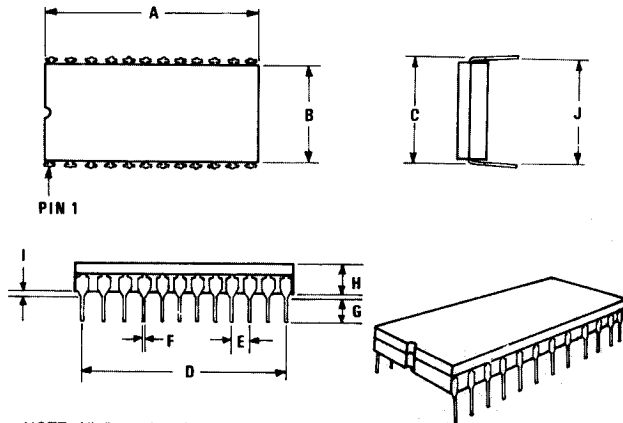
Table 6 "Quick-Reference" to Command Allocations

The FX806J, the dual-in-line package is shown in Figure 8. The 'LG' version is shown in Figure 9 and the 'LS' version in Figure 10.

To allow complete identification, the 'LG' and 'LS' packages have an indent spot adjacent to pin 1 and a chamfered corner between pins 3 and 4. Pins on all three package styles number anti-clockwise when viewed from the top (indent side).

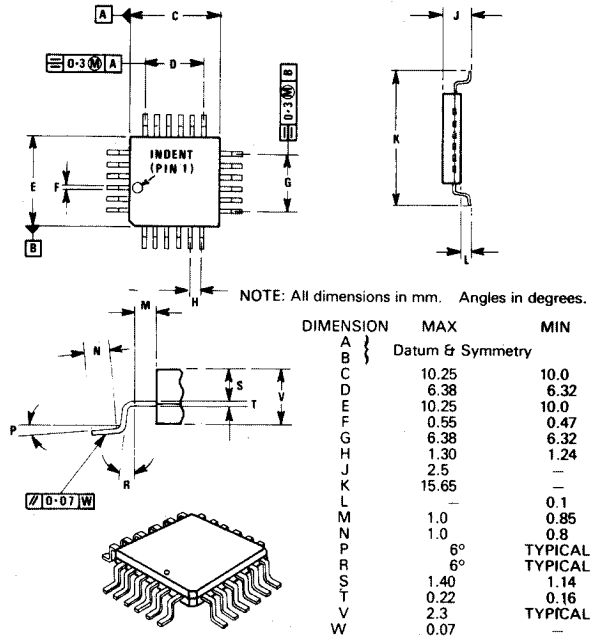
The FX806 is a CMOS LSI circuit which includes input protection. However precautions should be taken to prevent static discharges which may cause damage.

Dimensions



NOTE: All dimensions in mm.

DIMENSION	MAX.	MIN.	DIMENSION	MAX.	MIN.
A	32.03	31.50	F	0.46	TYPICAL
B	14.81	13.06	G	4.30	4.10
C	15.61	15.14	H	4.35	3.99
D	28.04	27.84	I	1.40	TYPICAL
E	2.54	TYPICAL	J	18.20	16.54



Ordering Information

- FX806J**      24-pin cerdip DIL
- FX806LG**    24-pin quad plastic encapsulated bent and cropped
- FX806LS**    24-lead plastic leaded chip carrier



**CML Microcircuits**

COMMUNICATION SEMICONDUCTORS

## CML Product Data

In the process of creating a more global image, the three standard product semiconductor companies of CML Microsystems Plc (*Consumer Microcircuits Limited (UK)*, *MX-COM, Inc (USA)* and *CML Microcircuits (Singapore) Pte Ltd*) have undergone name changes and, whilst maintaining their separate new names (*CML Microcircuits (UK) Ltd*, *CML Microcircuits (USA) Inc* and *CML Microcircuits (Singapore) Pte Ltd*), now operate under the single title **CML Microcircuits**.

These companies are all 100% owned operating companies of the CML Microsystems Plc Group and these changes are purely changes of name and do not change any underlying legal entities and hence will have no effect on any agreements or contacts currently in force.

### CML Microcircuits Product Prefix Codes

Until the latter part of 1996, the differentiator between products manufactured and sold from MXCOM, Inc. and Consumer Microcircuits Limited were denoted by the prefixes MX and FX respectively. These products use the same silicon etc. and today still carry the same prefixes. In the latter part of 1996, both companies adopted the common prefix: CMX.

This notification is relevant product information to which it is attached.

Company contact information is as below:



**CML Microcircuits  
(UK) Ltd**

COMMUNICATION SEMICONDUCTORS

Oval Park, Langford, Maldon,  
Essex, CM9 6WG, England  
Tel: +44 (0)1621 875500  
Fax: +44 (0)1621 875600  
uk.sales@cmlmicro.com  
www.cmlmicro.com



**CML Microcircuits  
(USA) Inc.**

COMMUNICATION SEMICONDUCTORS

4800 Bethania Station Road,  
Winston-Salem, NC 27105, USA  
Tel: +1 336 744 5050,  
0800 638 5577  
Fax: +1 336 744 5054  
us.sales@cmlmicro.com  
www.cmlmicro.com



**CML Microcircuits  
(Singapore) Pte Ltd**

COMMUNICATION SEMICONDUCTORS

No 2 Kallang Pudding Road, 09-05/  
06 Mactech Industrial Building,  
Singapore 349307  
Tel: +65 7450426  
Fax: +65 7452917  
sg.sales@cmlmicro.com  
www.cmlmicro.com